

J1

EEC approved (L2e)

**Positioning:**

Short distance driving for shopping, daily commute, as family's second or third vehicle.

定位：作为家庭第二辆或第三辆出行工具，购物,上下班或短途出行的代步车辆。



3 wheels, 2 seats	三轮，两座
Capacity (person) : 2-3	
Size: 2160x1150x1680mm	尺寸:2160x1150x1680mm
Curb weight:310kg	整备质量： 310kg
Loading capacity :150kg	最大载重： 150kg
Max. speed:45km/h	最大时速： 45km/h

105Ah lithium battery Max. range 130km ,with fast charger system can be full charge in 3 hours.

105Ah 磷酸铁锂电池，最大行驶里程 130km，具备快充系统一次完全充电仅需 3 小时。

Color: White&Silver Red&Silver Blue&Silver Grey&Black

颜色：白银，红银，蓝银，灰色，黑色

**Details of the vehicle:**

**车身细节:**

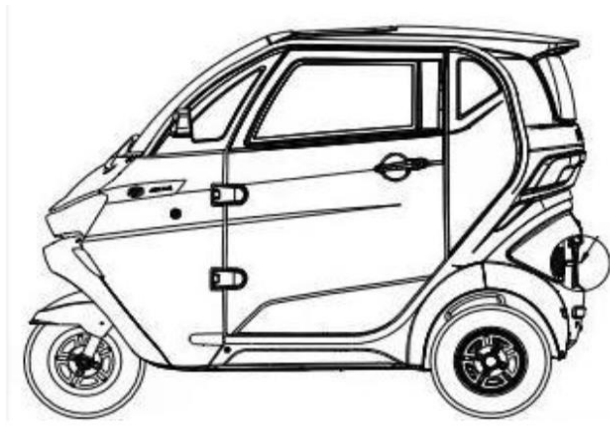
**1. ABS Resin Plastic Cover and painting**

Whole cover with ABS Resin plastic , have excellent comprehensive physical, impact resistance ,Stability, two-thirds lighter weight than iron.

ABS 树脂注塑，具有优良的综合物理和机械性能，较好的低温抗冲击性能，尺寸稳定性。比铁质件轻三分之二。

Automobile-grade,Robot-painting .

汽车级油漆，电脑调漆，专业喷涂设备。



## 2, LED Light System

The integrate LED head & rear-light

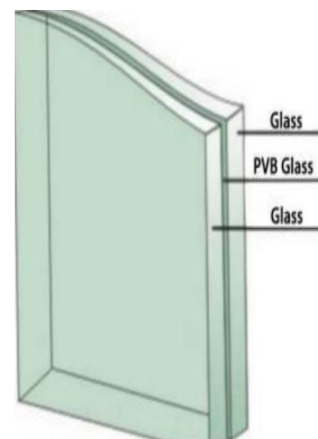
Turn lights, brake lights, reverse lights. Low power consumption and increase 50% more in light transmittance.  
前后远近光一体贯穿式 LED 大灯、转向灯、刹车灯、倒车灯。耗电量低，透光度提升 50%。



## 3, Front Windshield

CCC certified tempered and laminated glass Improve visual and more safety.

CCC 认证钢化夹层玻璃·提高视觉效果和安全性能。



## 4, Dashboard

LCD display, volt meter, power meter, kilometer and reverse camera, plus Bluetooth, MP5, USB connector.

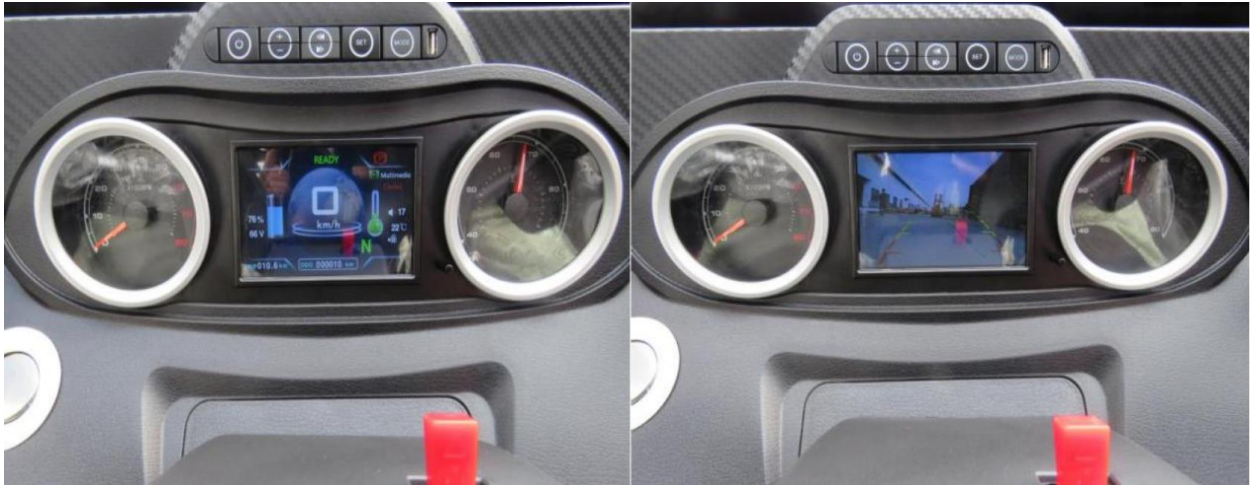
仪表台：整体液晶显示，电压表，电量表、里程表及倒车影像,蓝牙,MP5,USB 接口。



Runhorse

山东锐马新能源车辆有限公司

Shandong Runhorse electric vehicles Co.,Ltd.



### 5, Central lock and One button start

中控钥匙，一键启动。



### 6, Electric Windows

电动窗户

### 7, Mat on the whole car

地垫



## 8, Optional Air Conditioner

可选配空调

## 9, Seat with belt

Genuine Leather with PU, optional rotating seat for easy getting on and off.

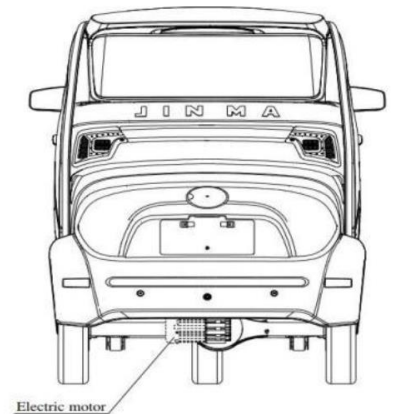
座椅:真皮面料+高回弹 PU,选配可旋转座椅,方便上下车。



## 10.AC Motor (3000W)

AC motor with auto-hold function, powerful and water proof, lower noise, no carbon brush, maintenance-free. Equipped with hill-start assist control.

电机:交流动力电机,动力强大,低噪声,免维护,从而有效提升续航里程。配有上坡辅助系统。



## 11.Lithium Iron Phosphate Battery

With BMS system, more than 2,500 times charging cycles(8-10 years) under working environment from -30 to 50 °C. Equipped with fast home charging system .

电池:磷酸铁锂电池,安全性好,有 BMS 管理系统,可以在-30-50°C的工作环境,循环充放电 2500 次,寿命 8-10 年左右。且配有快充功能,在家即可实现充电。

Can be remote online monitoring. Automatic power off after full charge.

可监测:

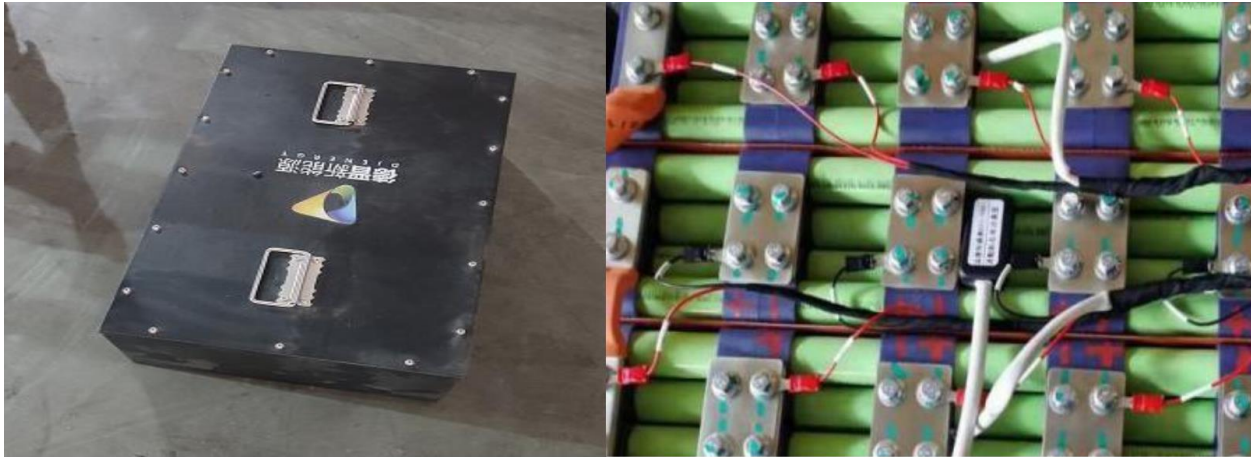
实现远程在线监测,可通讯,充满自动停止。



Runhorse

山东锐马新能源车辆有限公司

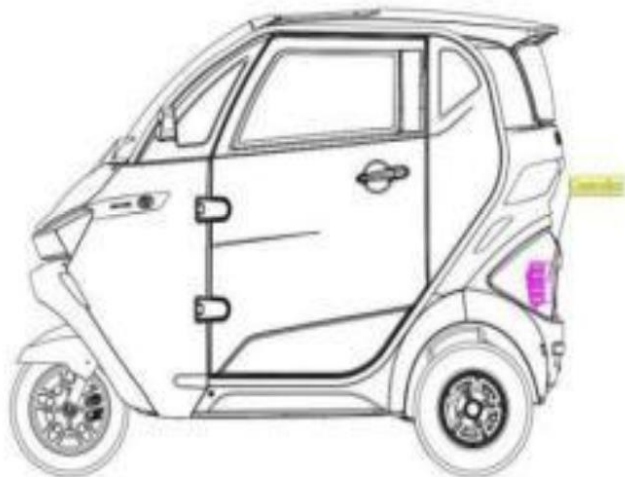
Shandong Runhorse electric vehicles Co.,Ltd.



### 12. Electronic Control System

Use Enpower electric control system , reliable and water-proof

电控系统:采用英博尔电控系统, 可靠性高及防水。



### 13. Brake System

Front-disc and Rear-drum dual circuit hydraulic brake.

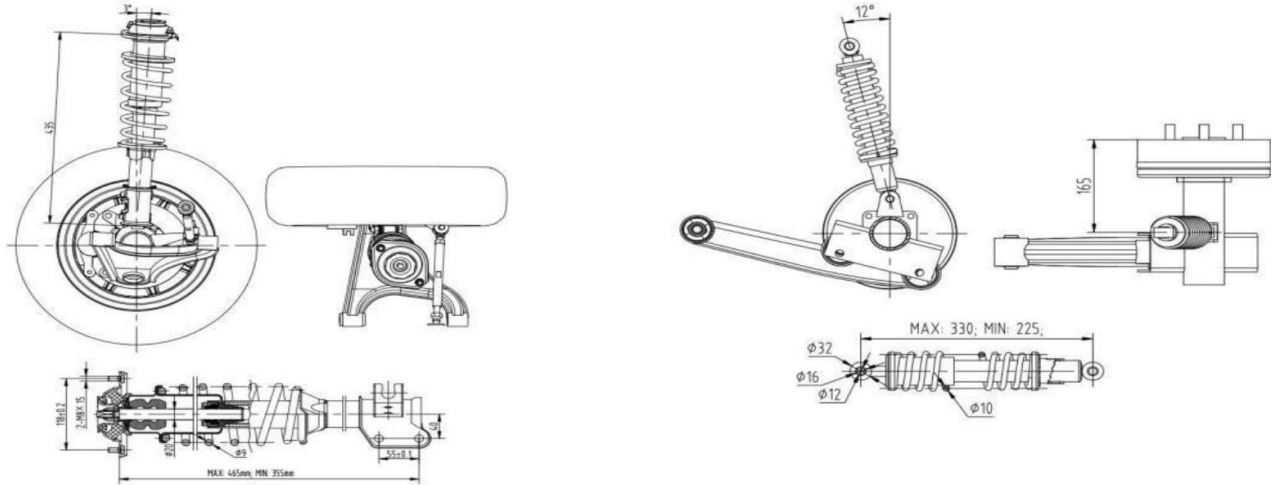
制动系统: 前碟后鼓式双回路液压制动。



## 14.Suspension System

The front axle and suspension are independent suspensions, simple structure and excellent stability. The integrated rear axle, axle housing welded by seamless steel tube, lower noise, more durable and reliable.

悬挂系统:前桥及悬挂为独立悬挂,结构简单,稳定性好。后桥为整体式后桥、无缝钢管焊接桥壳,噪音低,可靠。



## 15.Frame&Chassis

GB Standard Steel, under pickling, Photostatting and corrosion-resistant treatment

车架及底盘:采用国标钢材,整体表面经酸洗磷化耐腐蚀处理

## Advantage

### 1.Save Cost

CKD (Completely Knocked Down) assembly reduce and save customs duty & transportation cost

非常简单的可以实现当地 CKD 组装,降低关税,降低运输成本。



### 2. Save energy

Electric power consumption cost of 100 Km is less than 0.5\$.

百公里耗电量低于 0.5 美元



### 3.Car sharing system

Customers can download the APP, scan the QR code on the vehicle, Users can pay the cost directly online .The company can manage all vehicles through the phones.

客户下载 APP，扫描车辆上的二维码后可以使用，并通过线上或者信用卡可以直接使用的费用支付。公司通过后台可以管理所有的车辆。

